

BLD-70 BLDC Motor Driver

Features:

HALL angle: 120°

Multi-speed regulation modes

Maximum input voltage: 30V

High efficient, slowly temperature rise and compact size

Smooth torque output within speed range of 0-20000rpm

Specification:

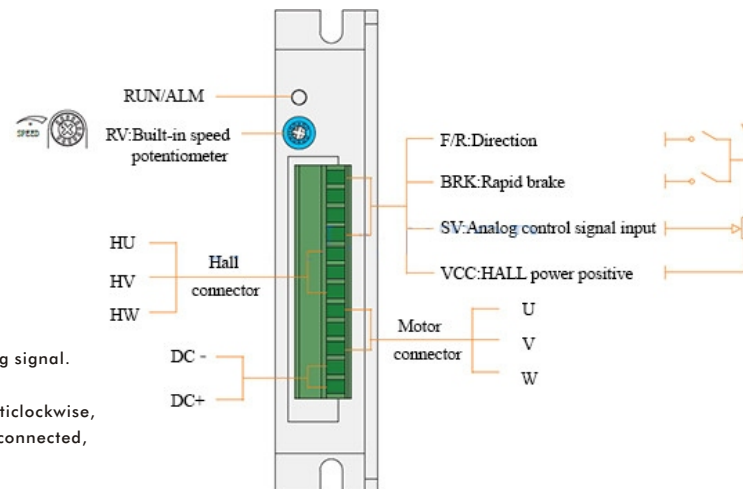
Driver Parameters	Minimum value	Rated Value	Maximum value	Unit
Output Current	-	3	6	A
Input Voltage	12	24	30	VDC
Hall driver current	-	20	-	mA
Hall signal voltage	4.5	6.25	6.5	V
Applicable motor speed	0	-	20000	RPM



Environmental conditions:

Environmental factors	Environmental indexes
Use occasion	Avoid dust, oil stain and corrosive gas
Operating temperature	10℃~+50℃
Environment humidity	40-90%RH (no condensation)
Vibration	5.9m/s ² Max
Storage temperature	-20℃~+125℃
Cooling mode	Natural cooling or forced cooling

Wiring Diagram:



Terminals Function

SV 1.External potentiometer; 2.Input analog signal.

F/R High level input the motor will rotate anticlockwise, low level input or when F/R and DR- are connected, the motor will rotate clockwise.

BRK Brake stop control signal: The motor brake stops when a high level is added or port suspension; the motor runs when the low level is added or DC- and BRK are connected.

4 speed Regulation Modes

Build-in potentiometer RV

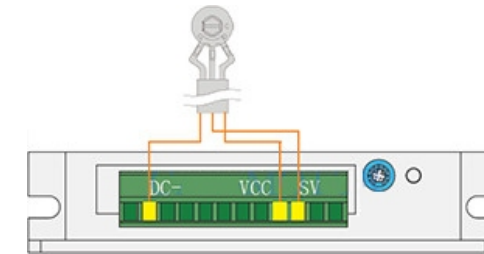
Rotate the RV knob clockwise, the motor starts to run and accelerate.

Motor speed will decrease if anticlockwise.

When it gets to a limited position, the motor stops.

External potentiometer

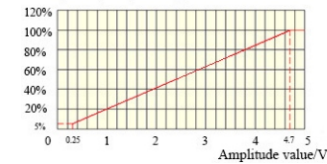
Use a suitable potentiometer with a resistance value of 10KΩ, connect middle terminal with SV terminal, and the other two terminals are respectively connected with VCC terminal and DC-terminal.



Input analog signal (0-5V)

Voltage and motor speed relational diagram (unloaded)

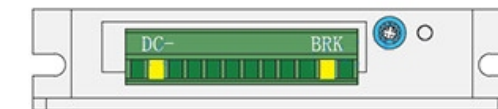
The highest speed percentage



Quick brake

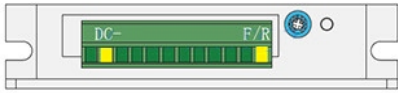
BRK and DC- are connected in default, the motor will rotate.

When BRK and DC- are disconnected, the motor will be quick brake.

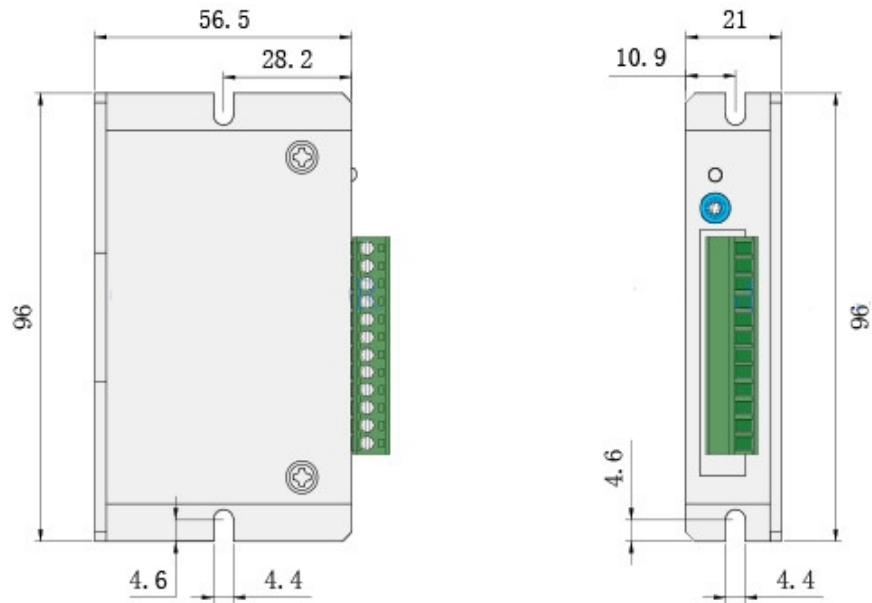


CW/CCW rotation

Connect F/R and DC-, the motor will rotate clockwise,
disconnect it, the motor will rotate anticlockwise.



Mechanical Dimension:(mm)



Unit weight:300g